

## SOLAR-300

Order Code:	Product Code:	Description:
20904	SOLAR-300-W-WW	25W Ceiling Light Oyster, 3000K Warm White. Satin White Finish
20905	SOLAR-300-W-W	25W Ceiling Light Oyster, 5000K White. Satin White Finish
20906	SOLAR-300-S-WW	25W Ceiling Light Oyster, 3000K Warm White. Silver Finish
20907	SOLAR-300-S-W	25W Ceiling Light Oyster, 5000K White. Silver Finish

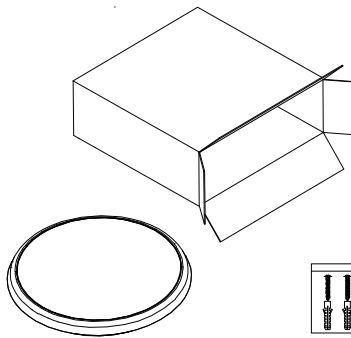
Thank you for purchasing your new LED SOLAR-300, Please take the time to read and understand the instruction sheet below. Failure to do so may void warranty.

### Specifications

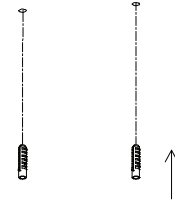
Voltage:	AC 240V	Lumen (±5%):	Warm White 3000K - 1940lm White 5000K - 2100lm	Dimmable:	Yes*
Power:	25W	Beam Angle:	120°	Lifespan:	40,000hrs
IP Rating:	54	CCT:	3000K - 5000K	CRI:	≥80
Operating Temp:	-20°C~45°C	Power Factor:	≥0.9		

\*Tested on the Domus EV-DIMMER (20505). May work on others but not tested.

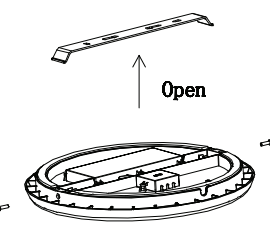
1. Take out ceiling light and accessory pack from box



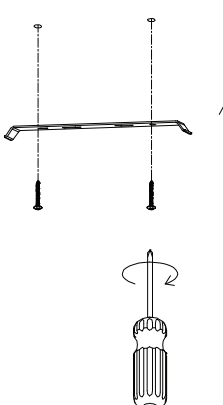
2. Knock-in the plastic anchor into ceiling



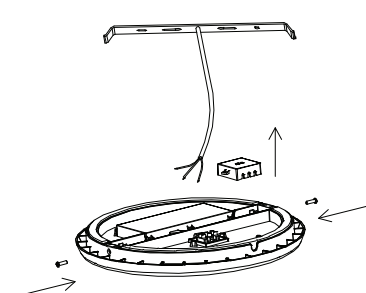
3. Remove screw, take out bracket



4. Fix bracket with screw into the ceiling

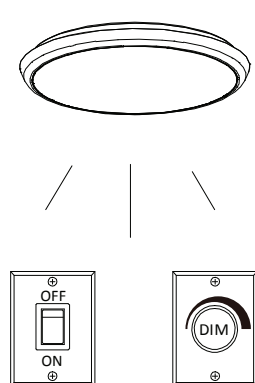


5. Open junction box, wire "L" "N" to terminal block and mount ceiling light into the right place



L=Brown  
 N=Blue  
 ⊕=Yellow-Green

6. Switch on



**Note:** -The lamp must be installed by professional electrician  
 -Ensure the power supply is switched off before fitting this product

-Do not touch the lamp when in use  
 -Keep away from hot steam and corrosive gas